



SP-30HA Mixer

Project _____ Item # _____ Quantity _____



SP-30HA Mixer

Model
SP-30HA 30 Quart Mixer



Built into each mixer is the quality of workmanship and design synonymous with SPAR.

Standard Features

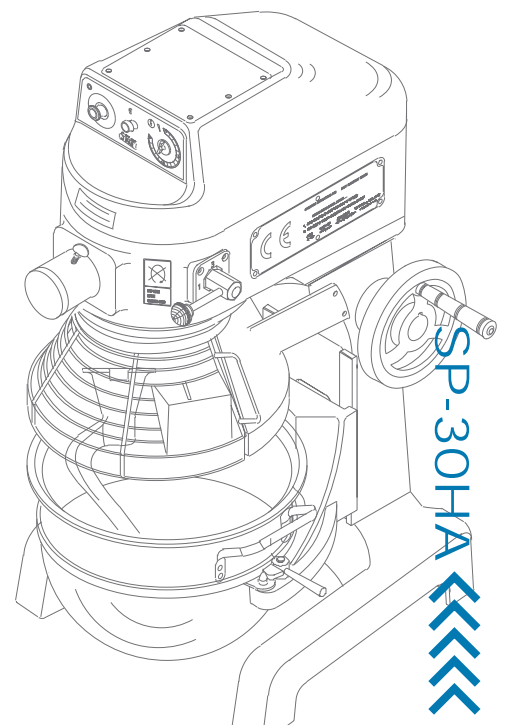


- Powerful custom built motor - 1 HP
- Three fixed speeds
- High torque transmission
- Heat-treated hardened steel alloy gears and shafts
- Permanently lubricated transmission
- Thermal overload protection
- Rigid cast iron body
- Stainless steel bowl guard with built in ingredient chute
- NSF approved enamel gray paint (optional)
- Front mounted controls
- 15 minute timer
- Industry standard #12 attachment hub
- Safety interlocked bowl guard and bowl lift
- Non-slip rubber feet
- 6 foot cord and ground plug

Standard Accessories



- 30 quart stainless steel bowl
- Flat beater (aluminum)
- Stainless steel wire whip
- Spiral dough hook (aluminum)





SP-30HA Mixer

Specifications

● **Motor** <<<<<<
1 HP (750W), grease packed ball bearing, air-cooled, 230V/50Hz/1Ph, 220V/380V/50Hz/3Ph

● **Controls** <<<<<<
Spar Mixer controls are front-mounted to give easy access in cramped kitchen environments. The following controls are standard on all Spar Mixers: separate start and emergency stop buttons so operators can shut down the mixer immediately in an emergency situation, a 15-minute timer which shuts off the machine after set time has elapsed, and thermal overload protection

● **Cord and Plug** <<<<<<
6 ft. flexible three wire cord and ground prong.

● **Transmission** <<<<<<
Heat-treated, hardened alloy, precision milled gears operate with planetary action. Gears are packed in a long-lasting, high pressure grease. Planetary gears are driven by an oversized cog-wheel, which is in turn driven by a cogged belt powered by the motor drive shaft. Cogged belt is a long-lasting, rugged fibre/rubber composite. This unique design yields high-torque mixing power while avoiding the high cost encountered repairing direct-drive transmission components.

● **Speeds** <<<<<<

Speed	Agitator rpm	Slicer/Grinder rpm
Low Speed	99	69
Intermediate Speed	176	123
High Speed	320	224

● **Bowls and Agitators** <<<<<<
Standard equipment includes a 30Qt. (30L) high quality stainless steel bowl, dough hook, flat beater, and whip. A sturdy hand lever on the body column raises and lowers the bowl as well as locking in place at the top and bottom positions.

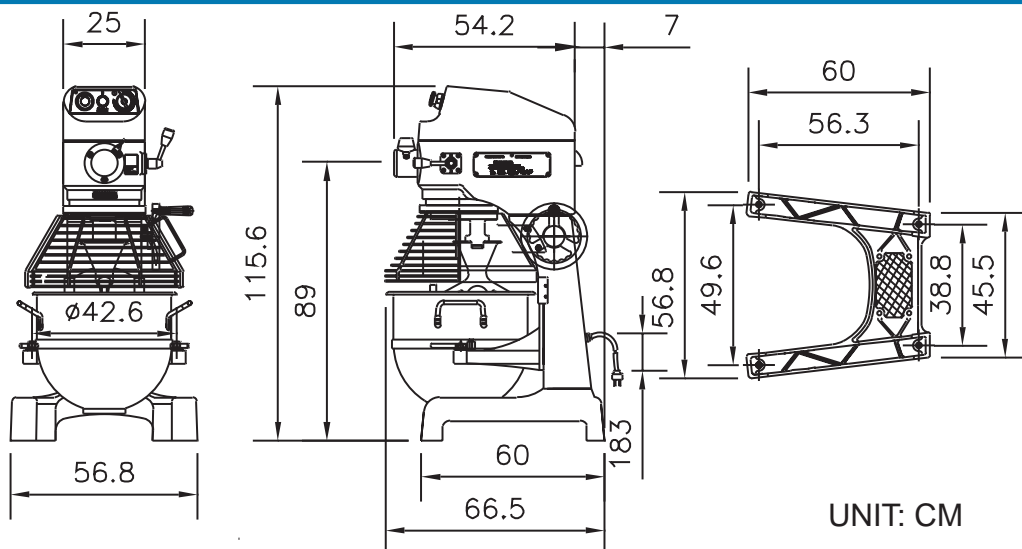
● **Attachments** <<<<<<
 Vegetable Slicer for #12 hub
 Meat grinder for #12 hub
 20 quart adapter kit
 Flat beater (Stainless Steel)

● **Finish** <<<<<<
Top (transmission cover): metallic bronze epoxy enamel
Bottom: metallic gray epoxy enamel

● **Shipping Information** <<<<<<
N.W. 180kgs
G.W. 210kgs

Carton Size:
Depth x Width x Height
67cm x 55cm x 117cm

Cartons are affixed to an undersized skid (pallet), the weight and dimensions of this skid are not included above and may vary from shipment to shipment.



SP-30HA <<<<<<